

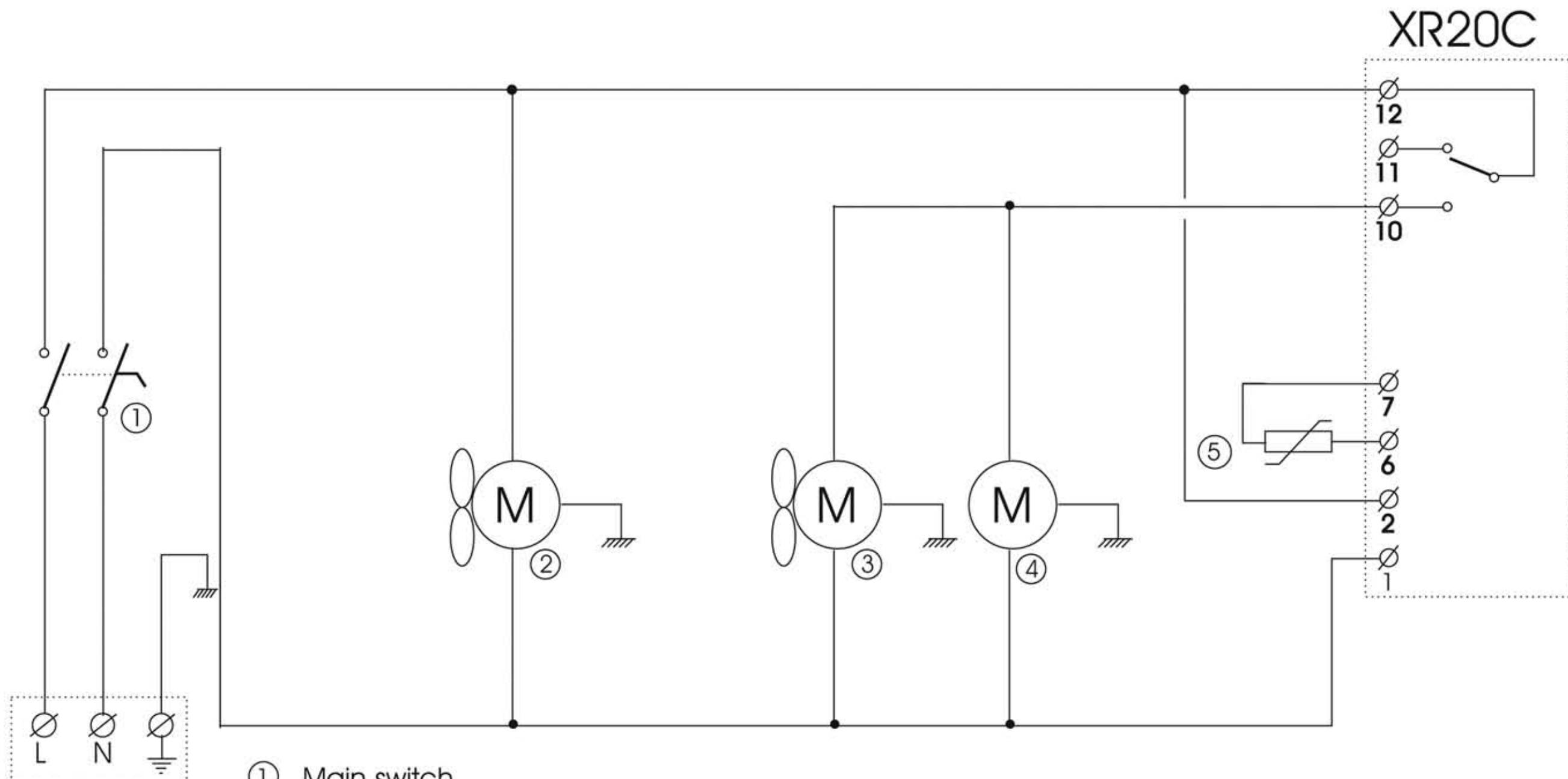
07/2018

Mod: SALP2/R6

Production code: 39130641000 / GSS920I



Diamond
catering equipment



- ① Main switch
- ② Evaporator fan
- ③ Condenser fan
- ④ Compressor
- ⑤ Cabinet probe