

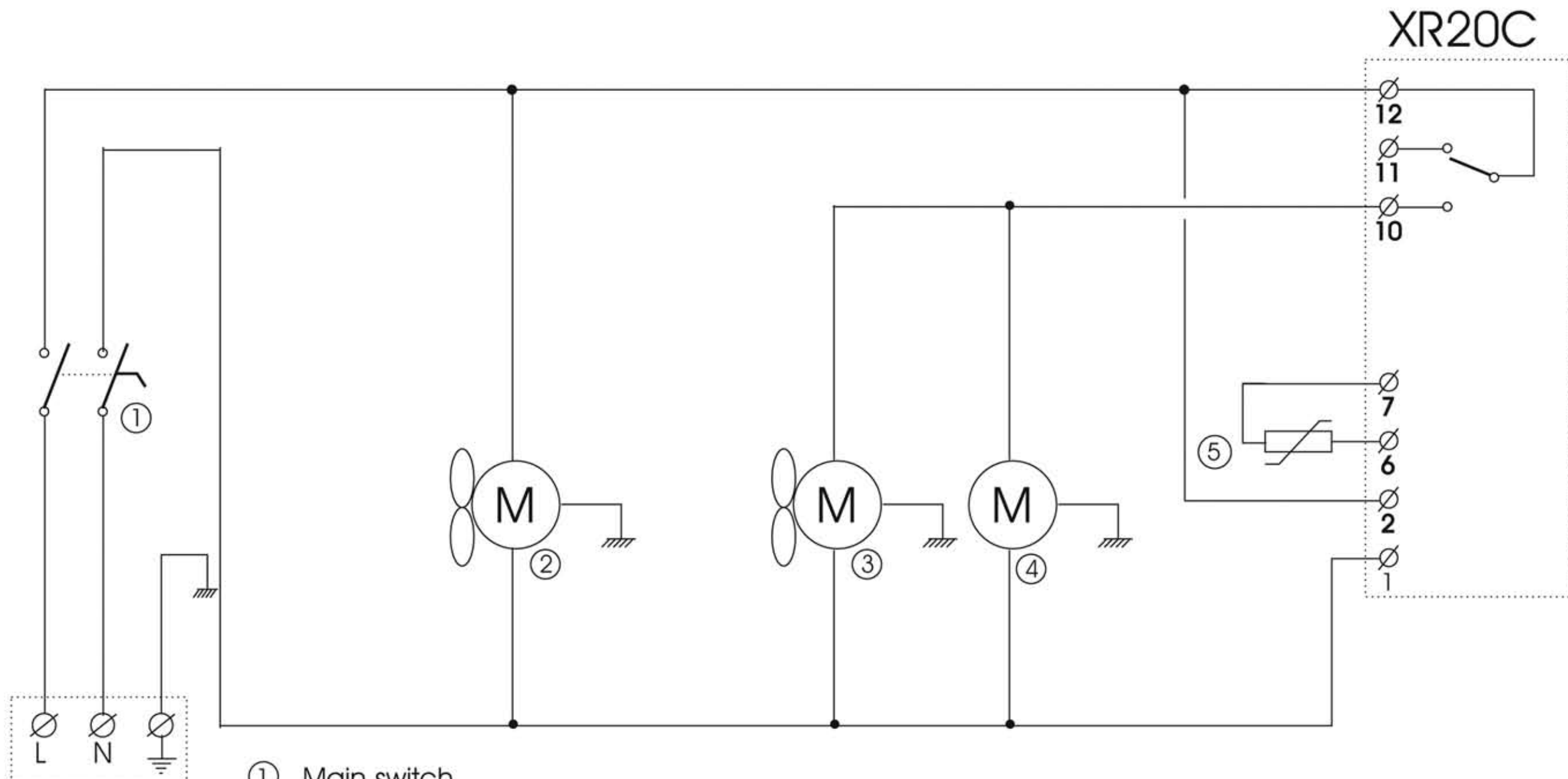
04/2013

Mod: SALP3/D

Production code: SS1435



Diamond
catering equipment



- ① Main switch
- ② Evaporator fan
- ③ Condenser fan
- ④ Compressor
- ⑤ Cabinet probe

	Date: 140413
Model: SS-Series	Rev.: 01
Wiring diagram	Rev. by: rfj
Drawing no.:	