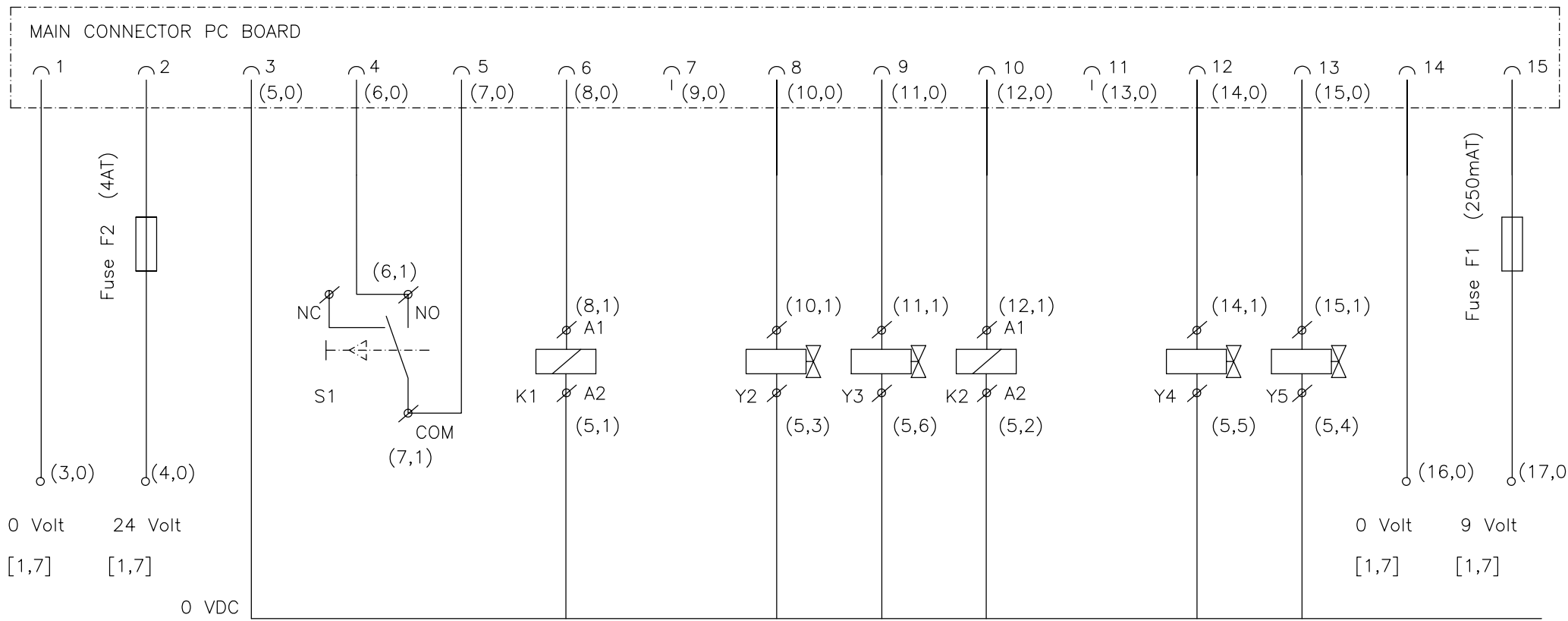


06/2005

Mod: TA-90B/N

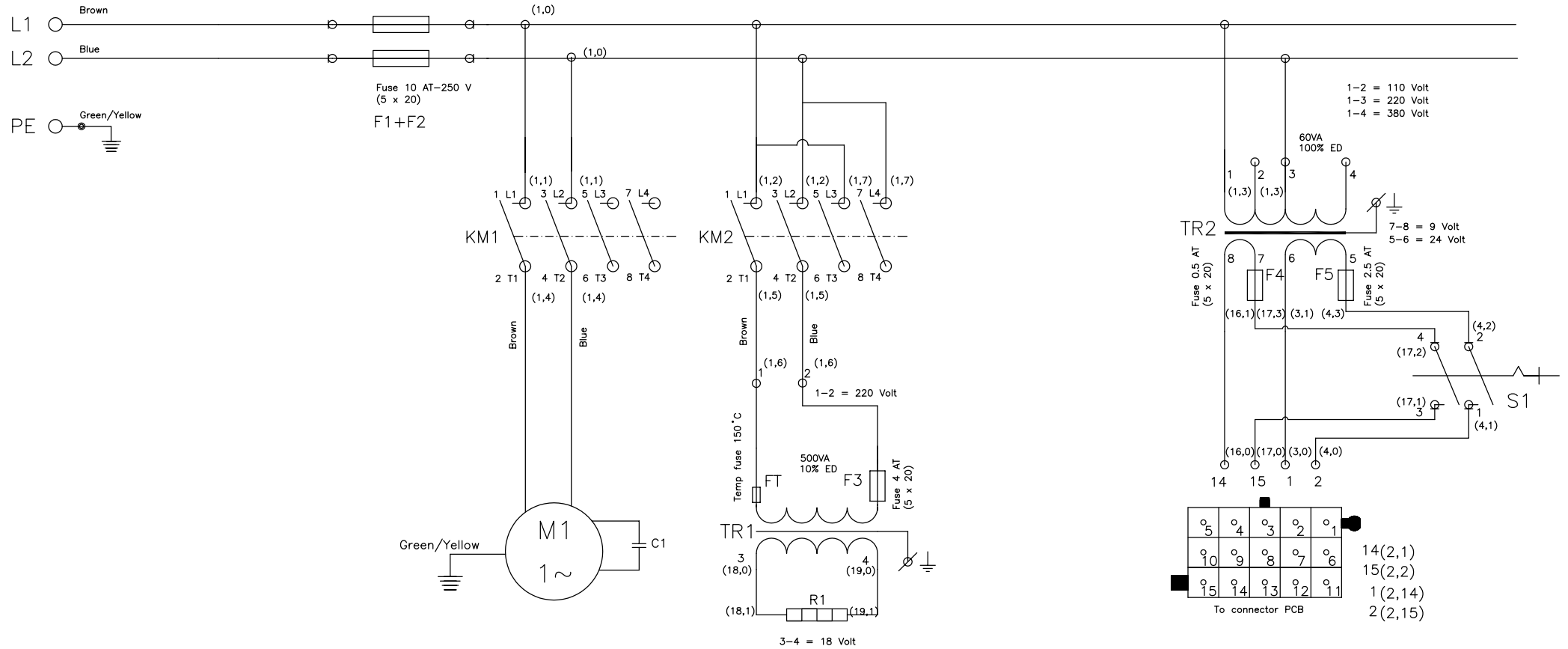
Production code: Boxer 42 XL

1	2	3	4	5	6	7	8	9	10	11	12	13	14	15
Input	Input	COM	Microswitch		Pump		Gas	Seal	Seal		Soft-air	De-vac	Input	Input
0 Volts	24 Volts				Contactor		Valve	Valve	Contactor		Valve	Valve	0 Volts	9 Volts
	Fuse				K1		Y2	Y3	K2		Y4	Y5		Fuse
	F1													F2



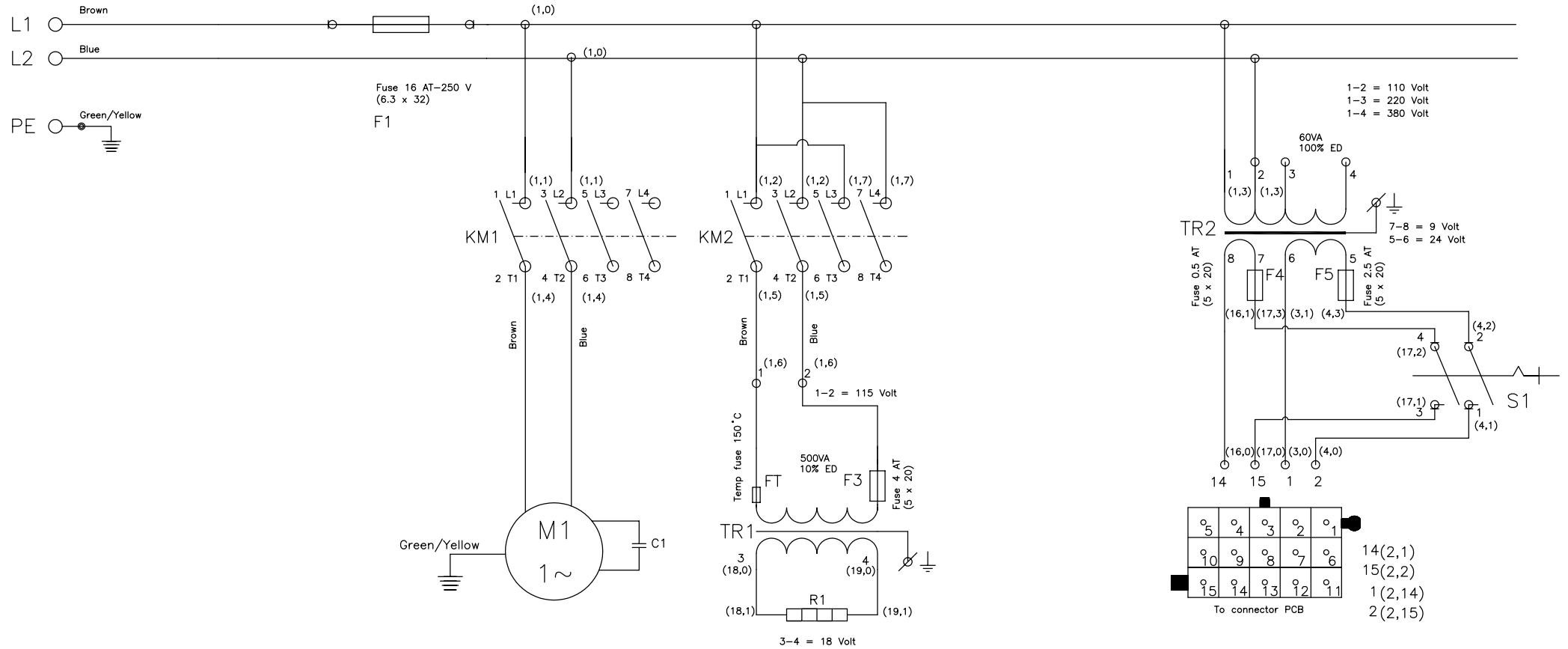
24 V, 9 V	Boxer Series
2-2	100-230 V - 1 ~ - 50/60 Hz
MD	
06-2001	

1	2	3	4	5	6	7	8
Main supply		Main Fuses	Contactor pump	Contactor seal		Control transformer	Main switch
L1 L2		F1 + F2	K1	K2		TR2	S1
			Motor	Seal transformer		Main connector PCB	
			M1	TR1			



Main power supply	Boxer Series
1-2	230 V - 1 ~ - 50/60 Hz
MD	
10-2003	

1	2	3	4	5	6	7	8
Main supply		Main Fuse	Contactor pump	Contactor seal		Control transformer	Main switch
L1 L2		F1	K1	K2		TR2	S1
			Motor	Seal transformer		Main connector PCB	
			M1	TR1			



Main power supply	Boxer Series
1-2	115 V - 1 ~ - 50/60 Hz
MD	
06-2001	