

# RESERVEDELSTEGNING OG DELELISTE

## SPARE PARTS DRAWING AND SPARE PARTS LIST

### SIRMAN C15 ( DIAMOND CSP2/15Z )

Importør:

**Scheie & Co AS**

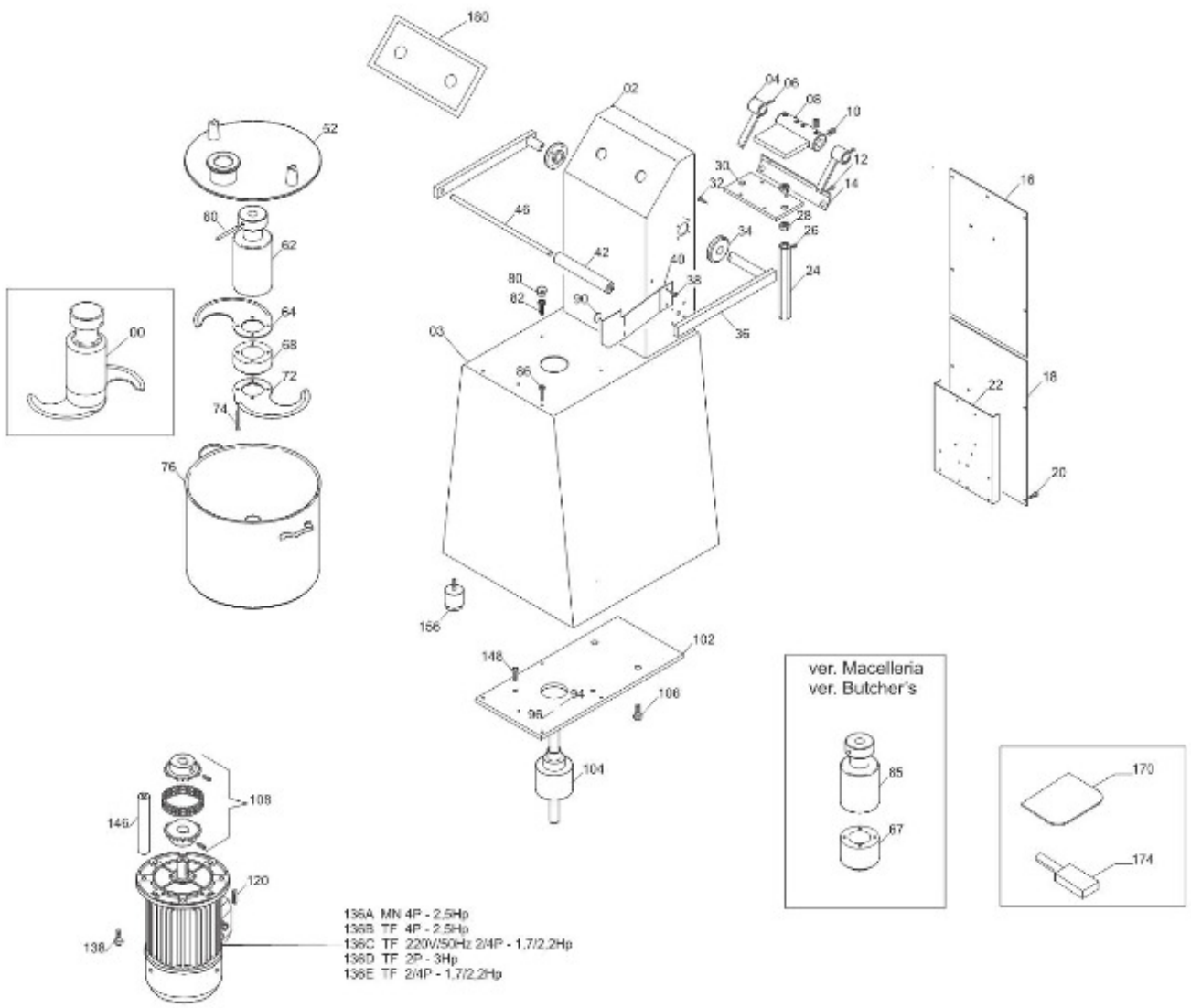
Kolskogheiane 12

5210 Os

Telf. +47 56308301

[www.scheie.no](http://www.scheie.no)



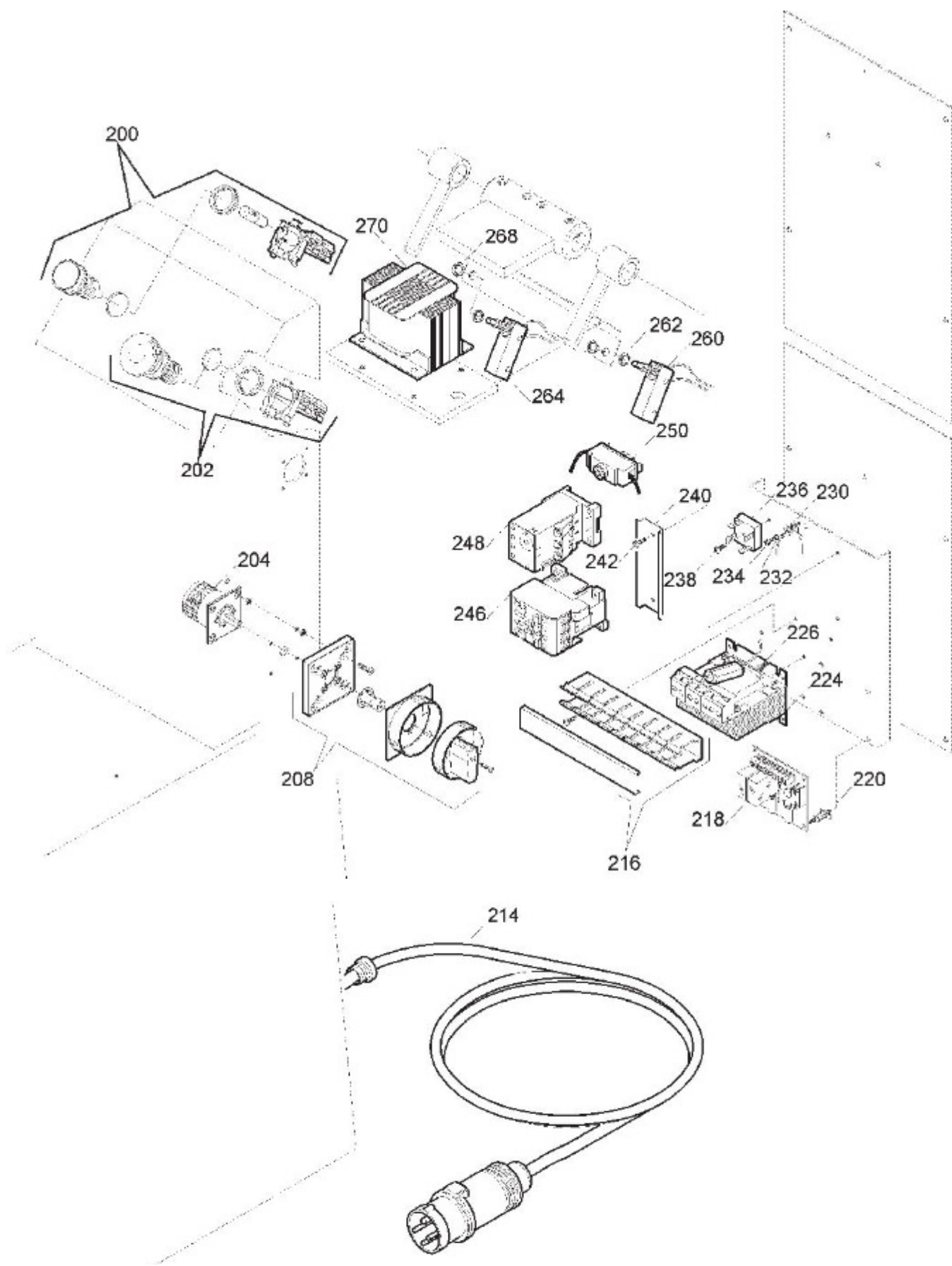


- 136A MN 4P - 2.5Hp
- 136B TF 4P - 2.5Hp
- 136C TF 220V/50Hz 24P - 1.7/2.2Hp
- 136D TF 2P - 3Hp
- 136E TF 24P - 1.7/2.2Hp

**C15-C15V CE**

REF	ART	COD
00	SHAFT WREGULAR KNIVES FOR C15	MSC15AMON
02	SCOCCA INOX SUPERIORE C15	MSC15N002
03	SCOCCA INOX INFERIORE C15	MSC15N003
04	LEVA AZION. MICRO C15	MSC15N004
08	LID BLOCK C15 DEVICE C15	MSC15N008
14	SUPPORTO MICRO C15	MSC15N014
16	SPORTELLO POST. ALTO C15	MSC15N016
18	SPORTELLO POST. BASSO C15	MSC15N018
22	PANNELLO IMP. ELET. C15	MSC15N022
24	ROD C15	MSC15N024
30	ELECTROMAGNET BASE - C15	MSC15N030
34	FLANGE, LID ARM - C15	MSC15N034
36	LID ARM. C15	MSC15N036
40	PLATE, C15	MSC15N040
42	PLASTIC HANDLE, C15	MSC15N042
46	HANDLE SHAFT, C15	MSC15N046
52	PLASTIC LID C-15	MSC15N052
60	BLADE PIN, C15	MSC15N060
62	BLADE HUB, C15	MSC15N062
64F	UPPER BLADE WITH HOLES C15	MSC15N064F
64Z	UPPER BLADE SERRATED, C15	MSC15N064Z
64	UPPER KNIFE FOR CUTTER C15	MSC15N064
65	BLADE HUB (BUTCHERY) C15	MSC15N065
67	HUB SPACER, (BUTCHERY) C15	MSC15N067

67	HUB SPACER, (BUTCHERY) C15	MSC15N067
68	HUB SPACER, C15	MSC15N068
72F	LOWER BLADE WITH HOLES C15	MSC15N072F
72Z	LOWER BLADE SERRATED, C15	MSC15N072Z
72	LOWER KNIFE FOR CUTTER C15	MSC15N072
74	VITE PORTALAMA C15	MSC15N074
76	BOWL, C15	MSC15N076
90	RUBBER SPACER, C15	MSC15N090
94	GASKET PW20 FOR C 15	MSC15N094
102	PIASTRA BASAMENTO C15	MSC15N102
104	ALUMINIUM SHAFT FOR C15	MSC15N104
108	GIUNTO COASSIALE COMPLETO C15	MSC15N108
136A	MOTORE MN 220V/50 4P 2,5HP C15	MSC15N136A
136C	MOTORE TF 220V. 2/4P 1,7/2,2HP	MSC15N136C
136E	MOTORE TF 380V. 2/4P 1,7/2,2HP	MSC15N136E
136D	MOTORE TF 380V/50 2P 3HP C15	MSC15N136D
136B	MOTORE TF 380V/50 4P 2,5HP C15	MSC15N136B
146	MOTOR HOLDER _ C 15	MSC15N146
156	FOOT FOR CUTTER C15	MSC15N156
170	BOWL SCRAPER, RED COLOUR	MSC04N200
174	SHARPENING STONE, CUTTER	MSC04N174
180	MOSTRINA C15	MSC15N180



REF	ART	COD
200	START BUTTON, C15	MSC15N200
202	EMERGENCY STOP BUTTON, C15	MSC15N202
204	SWITCH/INVERTER, C 15	MSC15N204
208	KNOB + FACEPLATE, C15	MSC15N208
214	POWER CORD, C15	MSC15N214
216	WIRINGS CHANNEL, C15	MSC15N216
218	TIMER CIRCUIT BOARD, C15	MSC15N218
220	PCB HOLDER, C15	MSC15N220
224	TRANSFORMER C15	MSC15N224
236	RECTIFIER, C15	MSC15N236
240	TERMINAL C15	MSC15N240
246	CONTACTOR, C15	MSC15N246
248A	OVERLOAD PROTECTION 2 SPEEDS	MSC15N248A
248	OVERLOAD PROTECTION 1 SPEED	MSC15N248
250	PORTAFUSIBILE C15	MSC15N250
260+262	MICROSWITCH, C 15	MSC15N260
270	ELECTROMAGNET, C15	MSC15N270