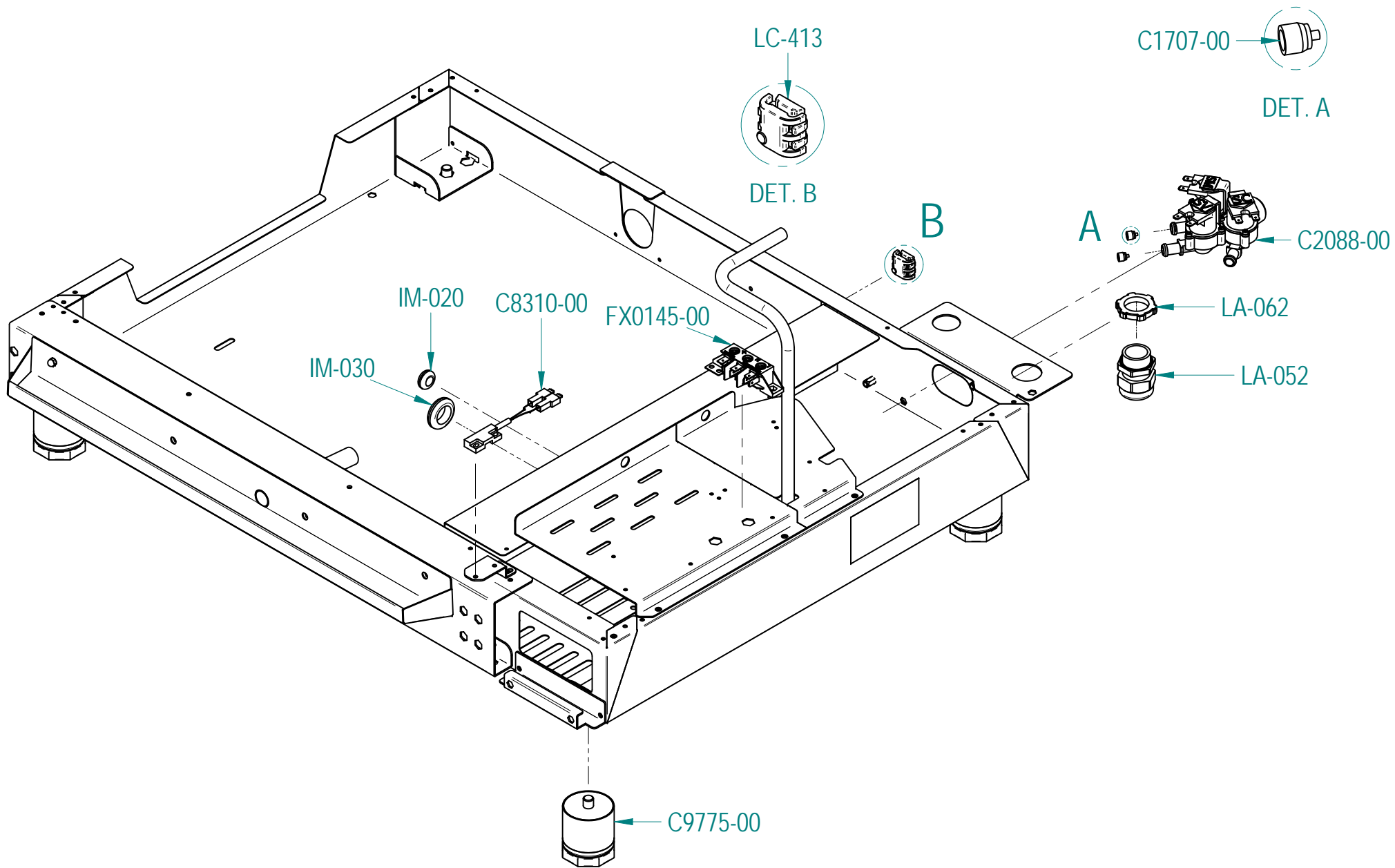
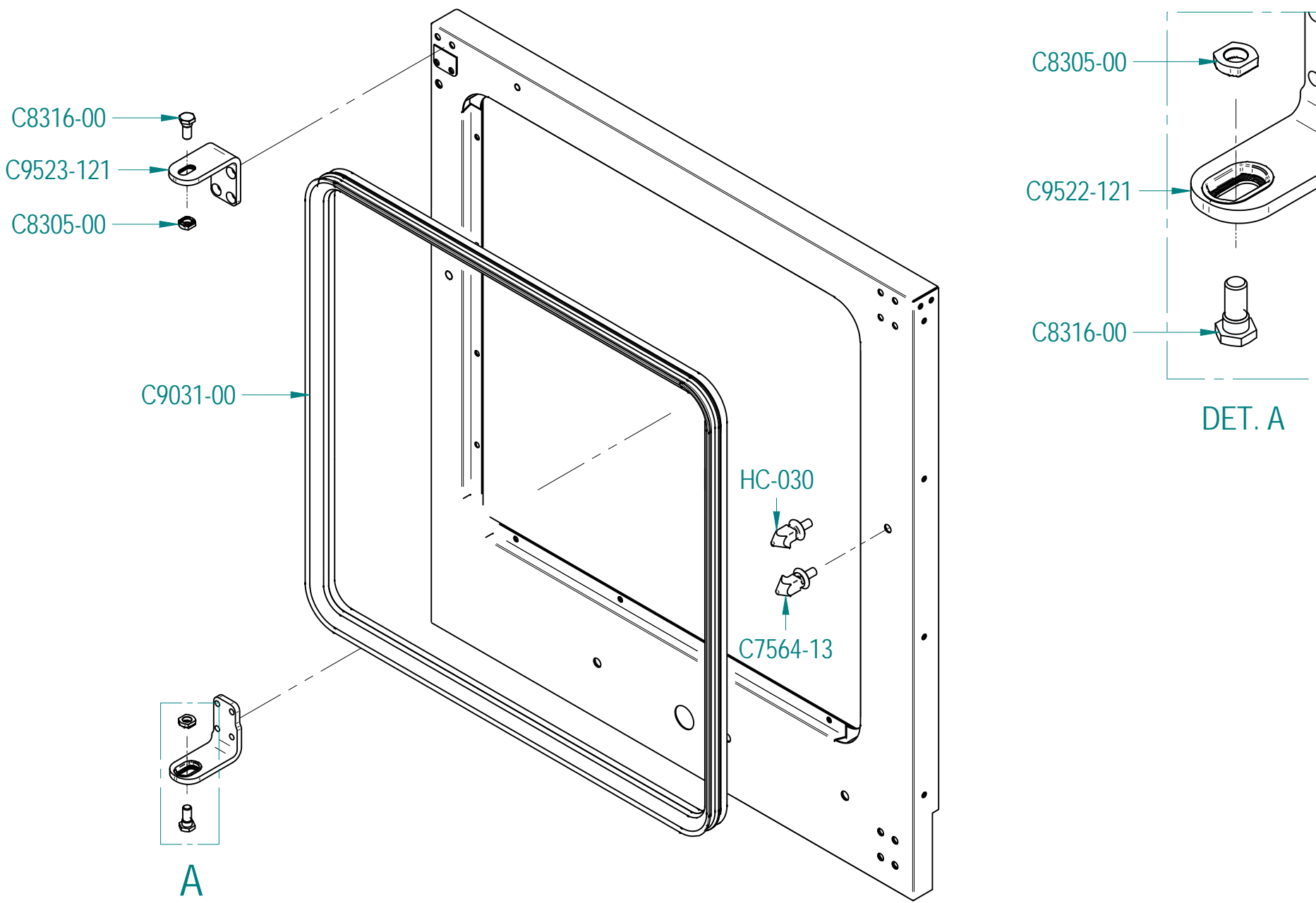


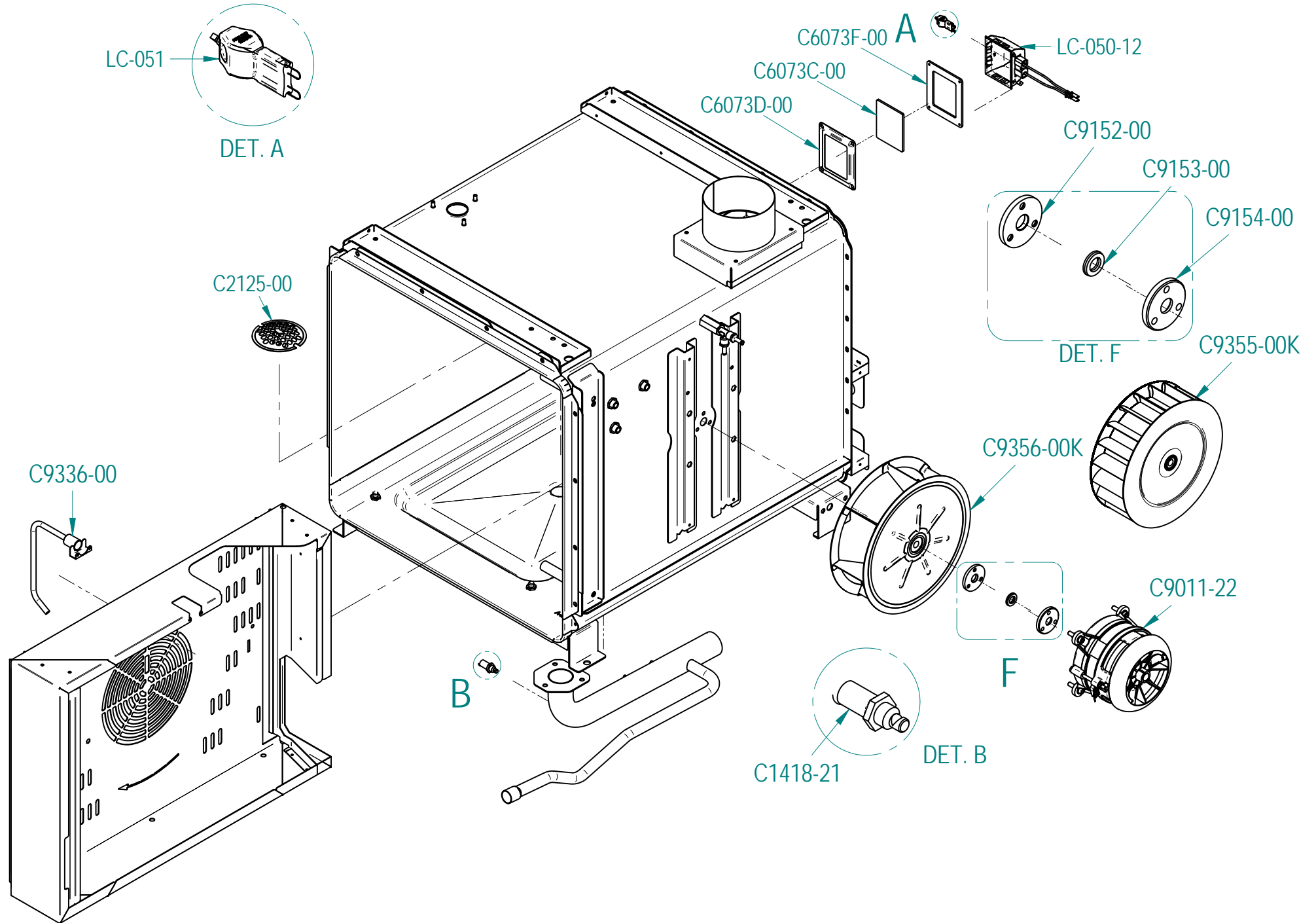
10/2021

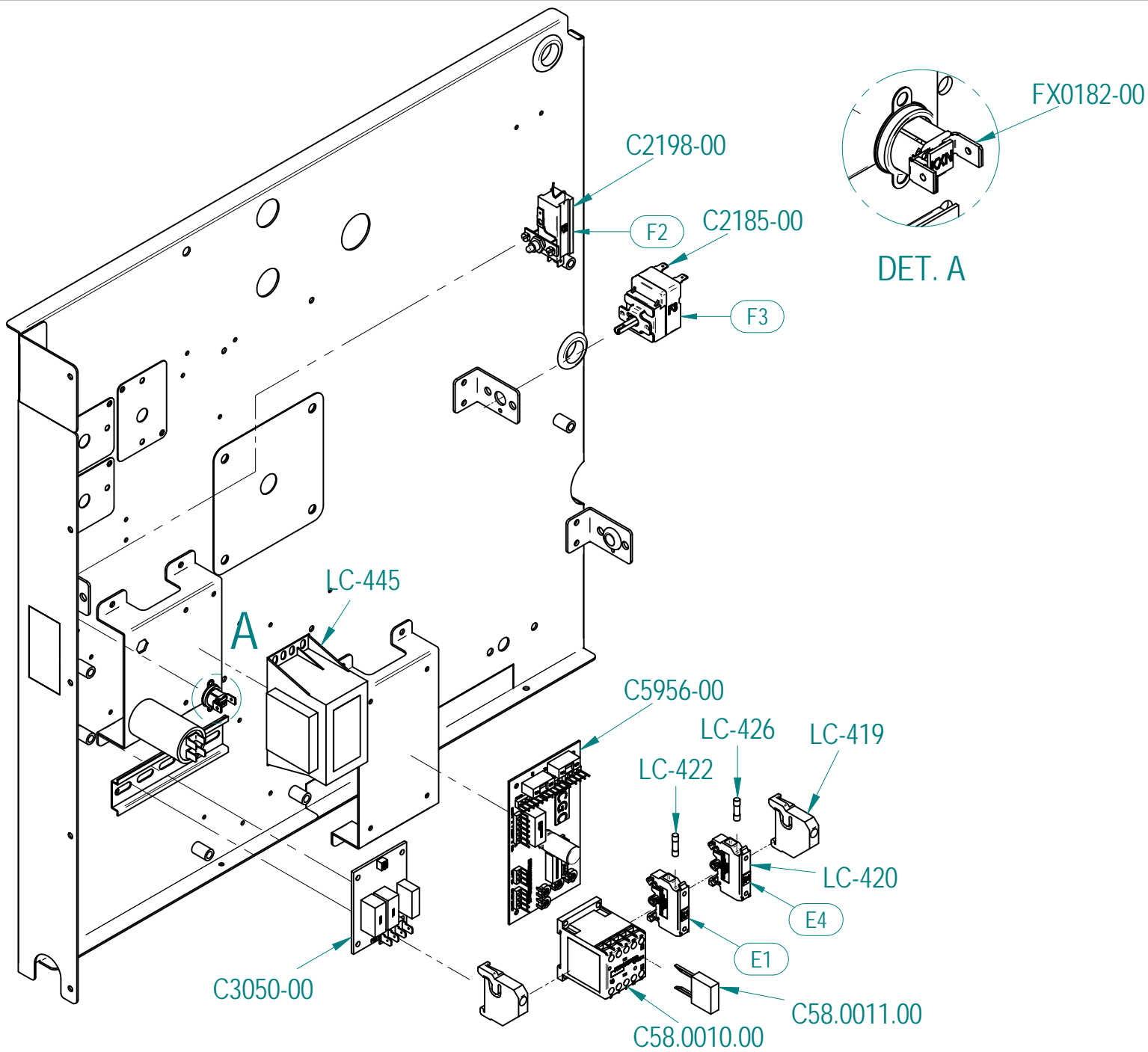
Mod: DGV-711/P

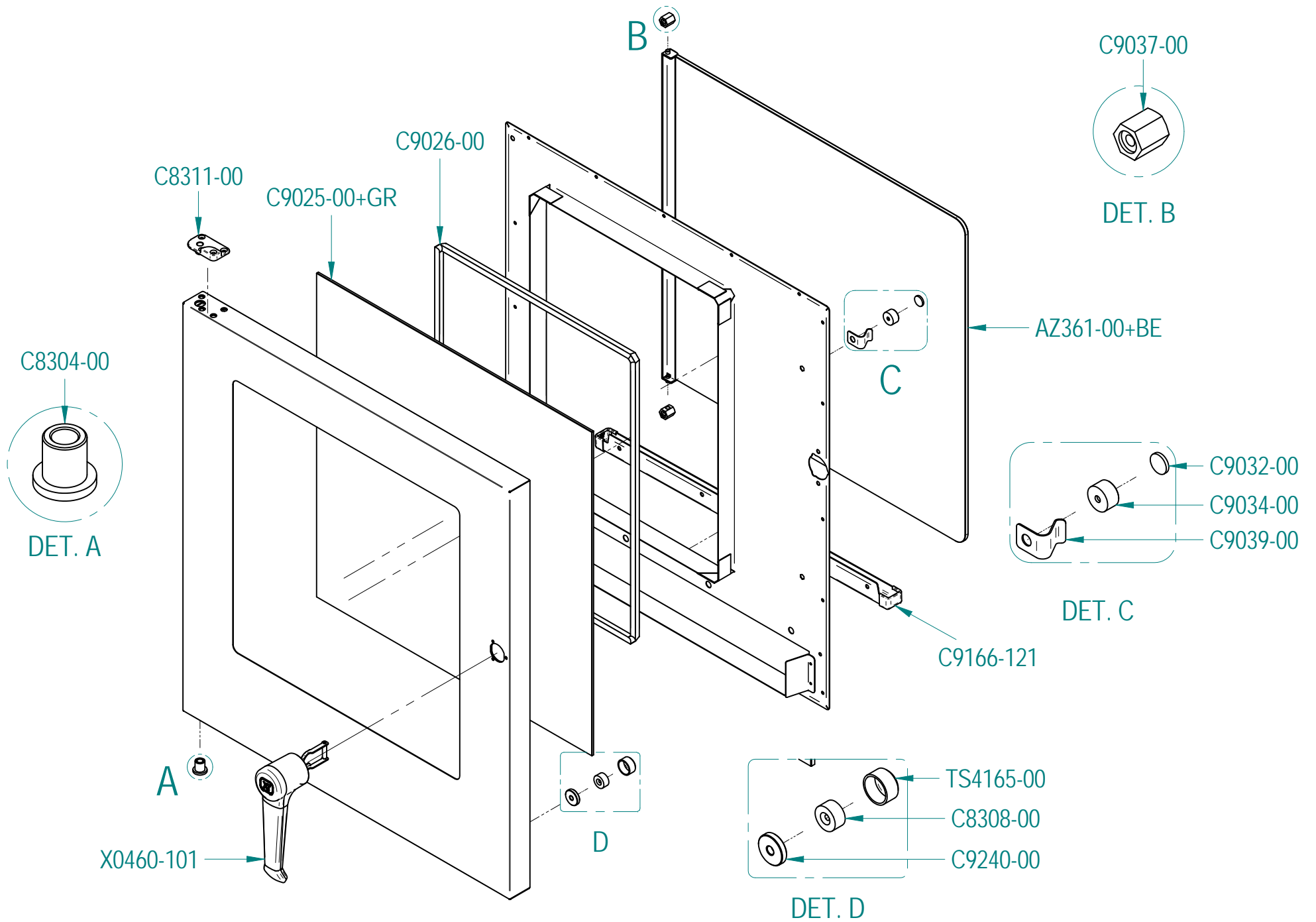
Production code: E2 CDA-107G CR 12DI 47

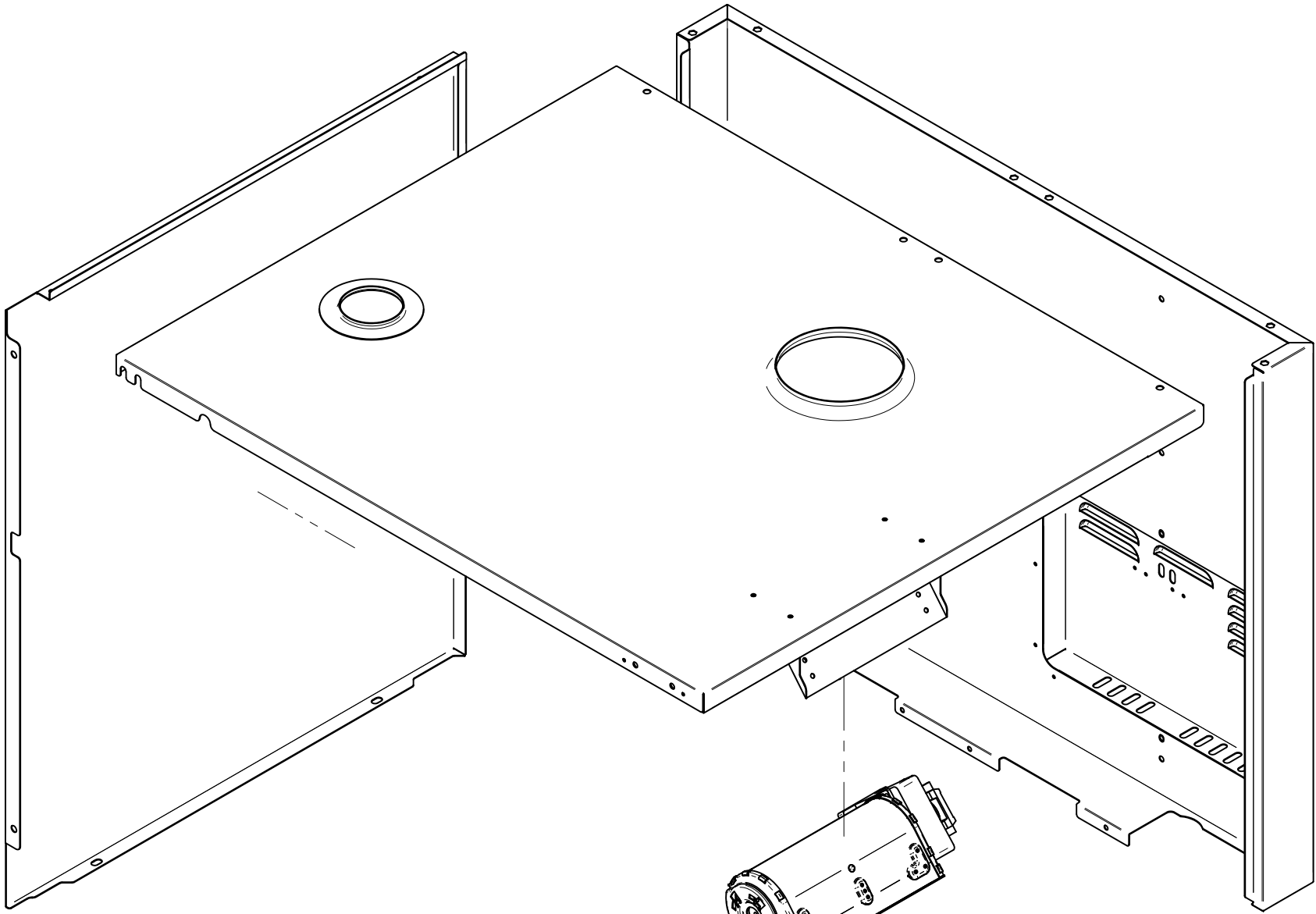












FX0077-00

